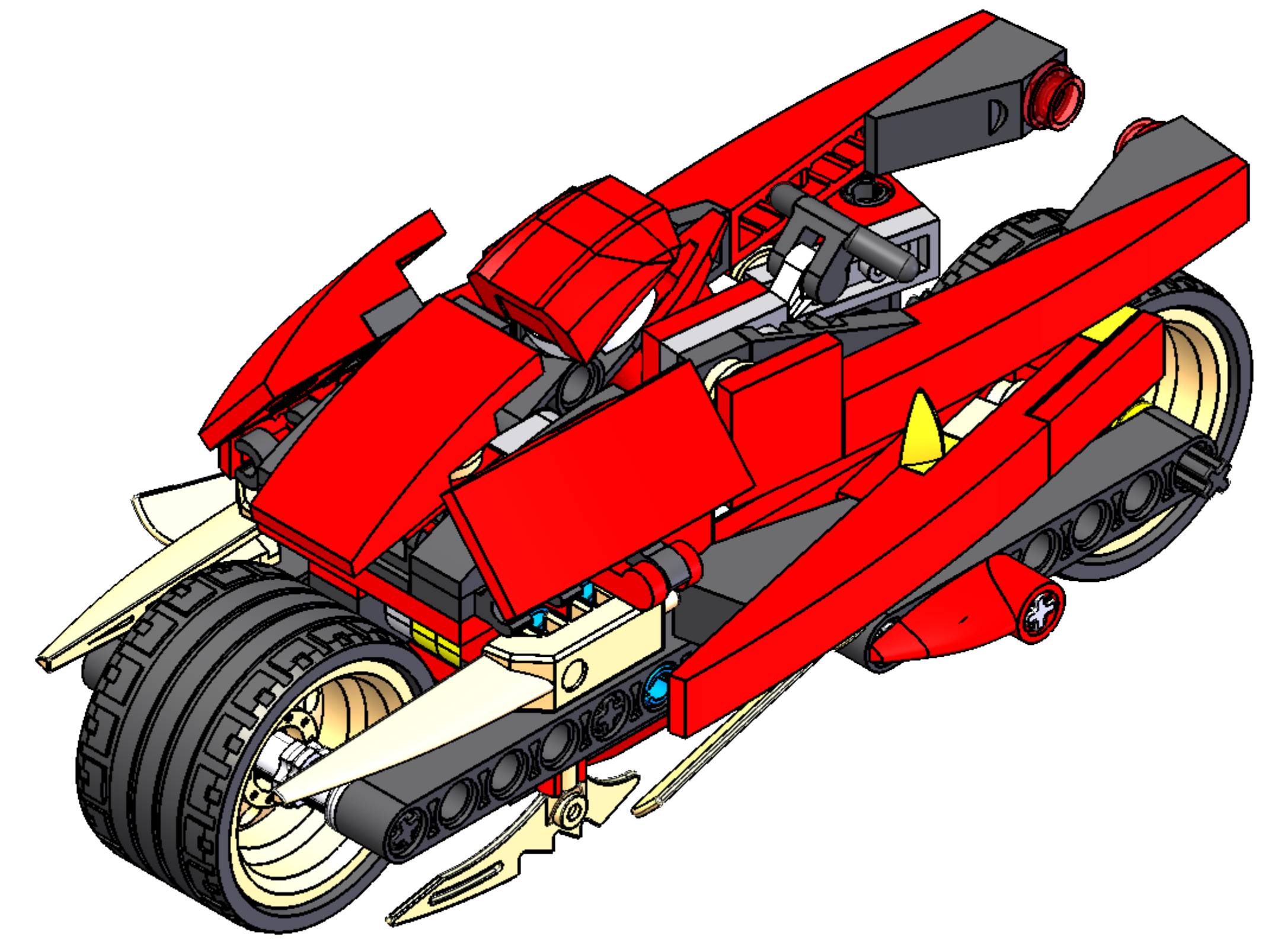
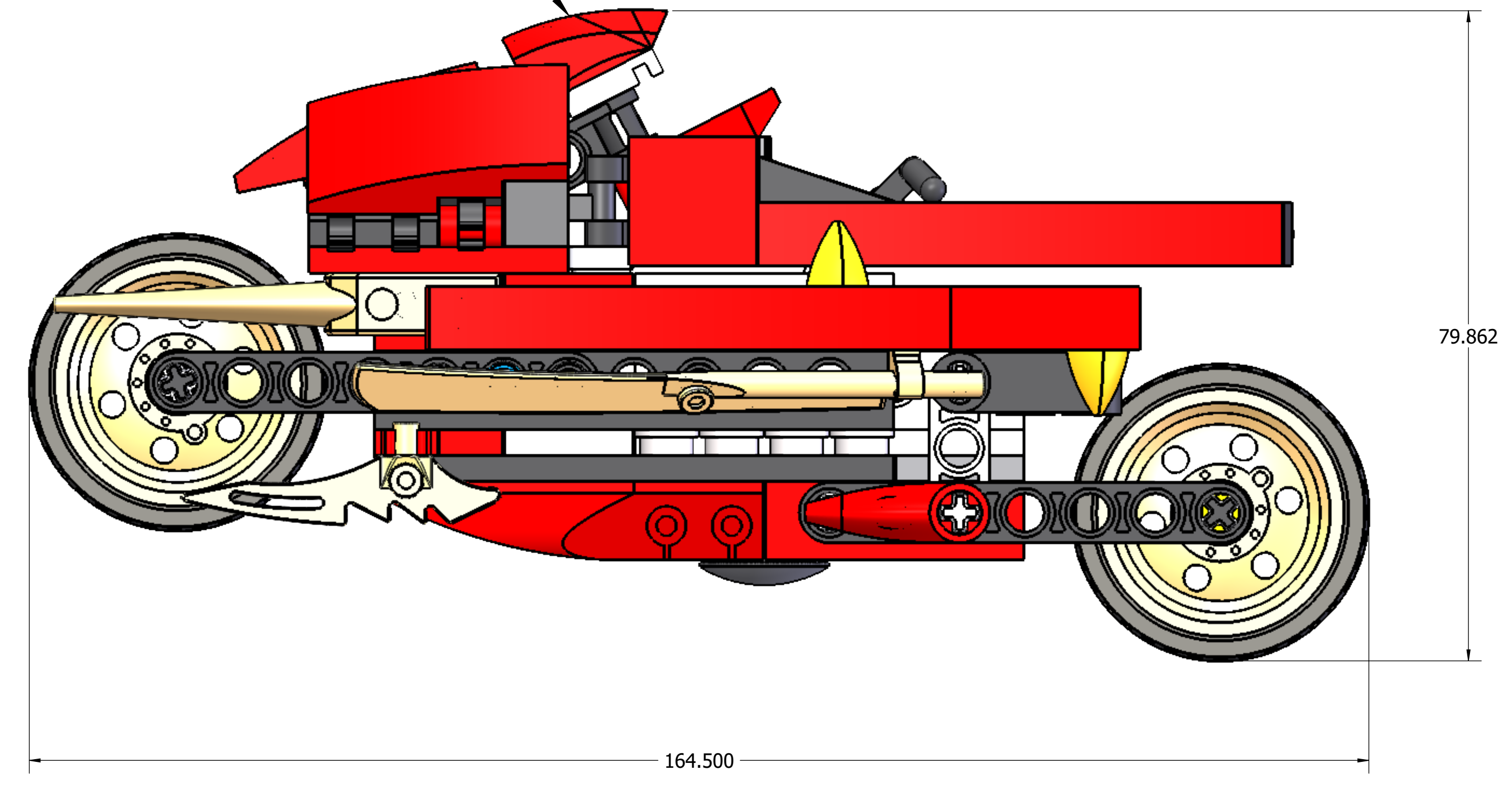


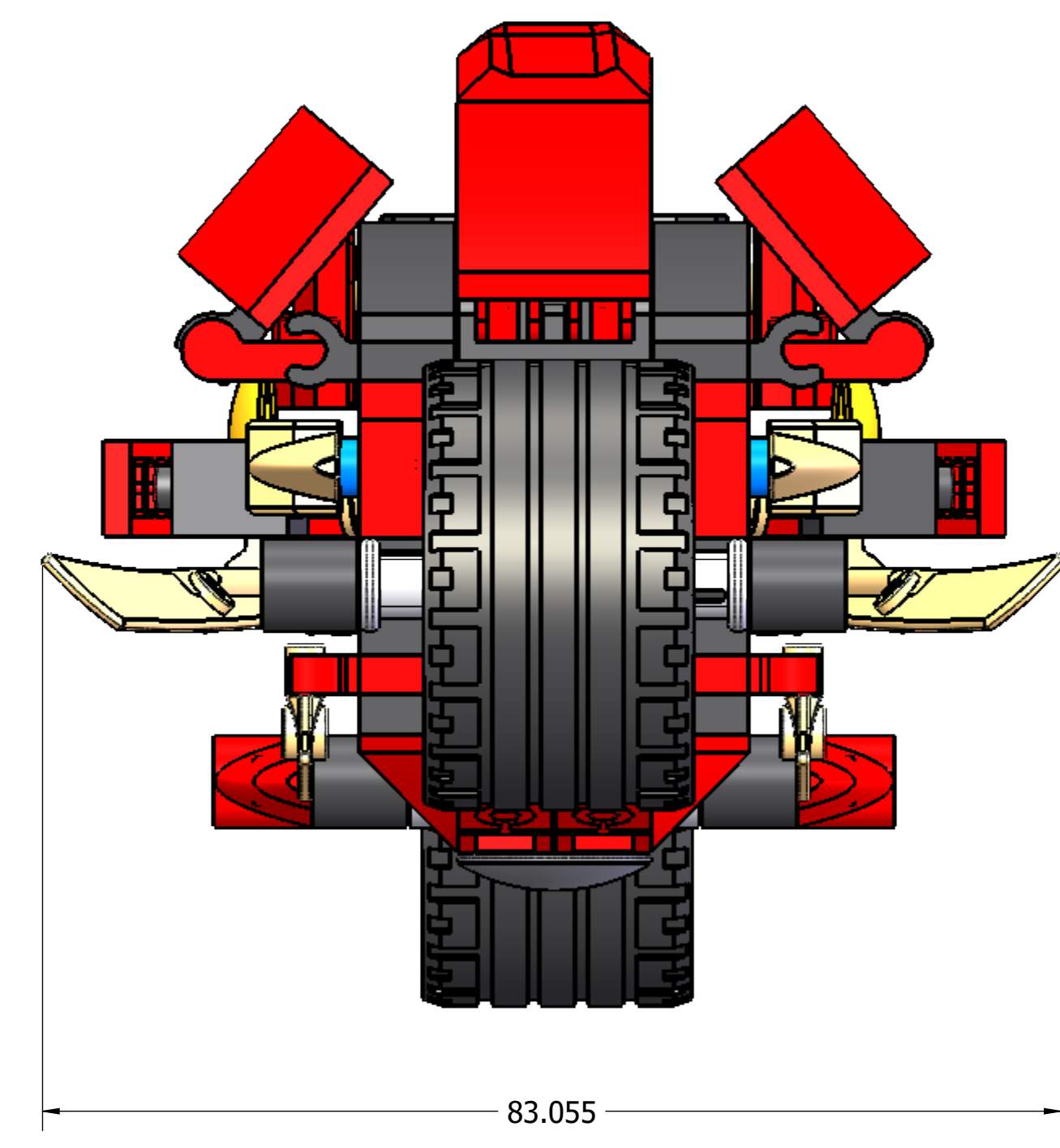
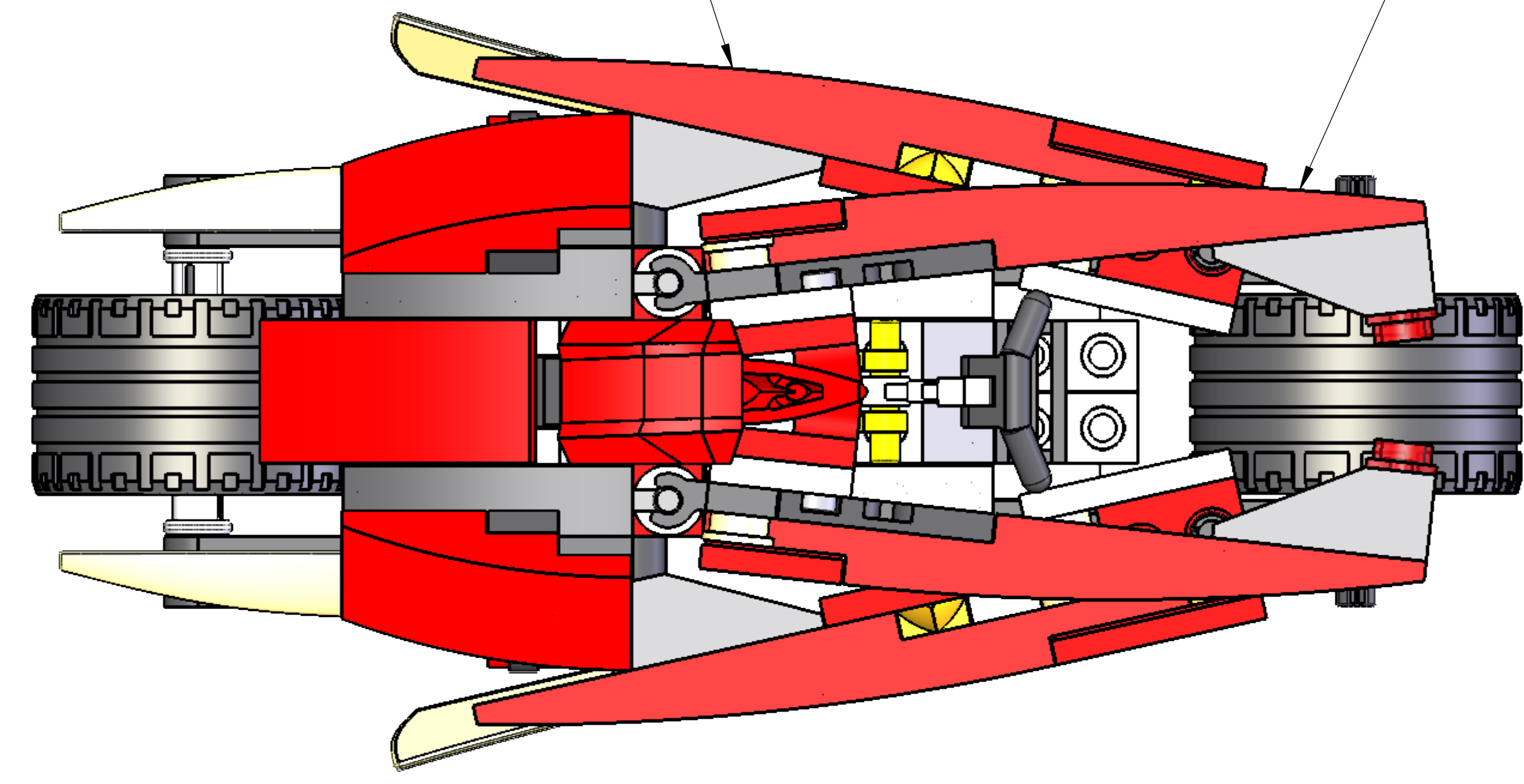
REVISIONS		
REV.	DESCRIPTION	DATE
A	INITIAL RELEASE	12/3/2024

DOWNWARD PUSH ON 2X2 SLOPE CURVE
CAUSES SIDE WINGS TO OPEN



LOWER WINGS OPEN OUTWARDLY AS A
RESULT OF UPPER WINGS BEING PUSHED OUT

UPPER WINGS OPEN OUTWARDLY



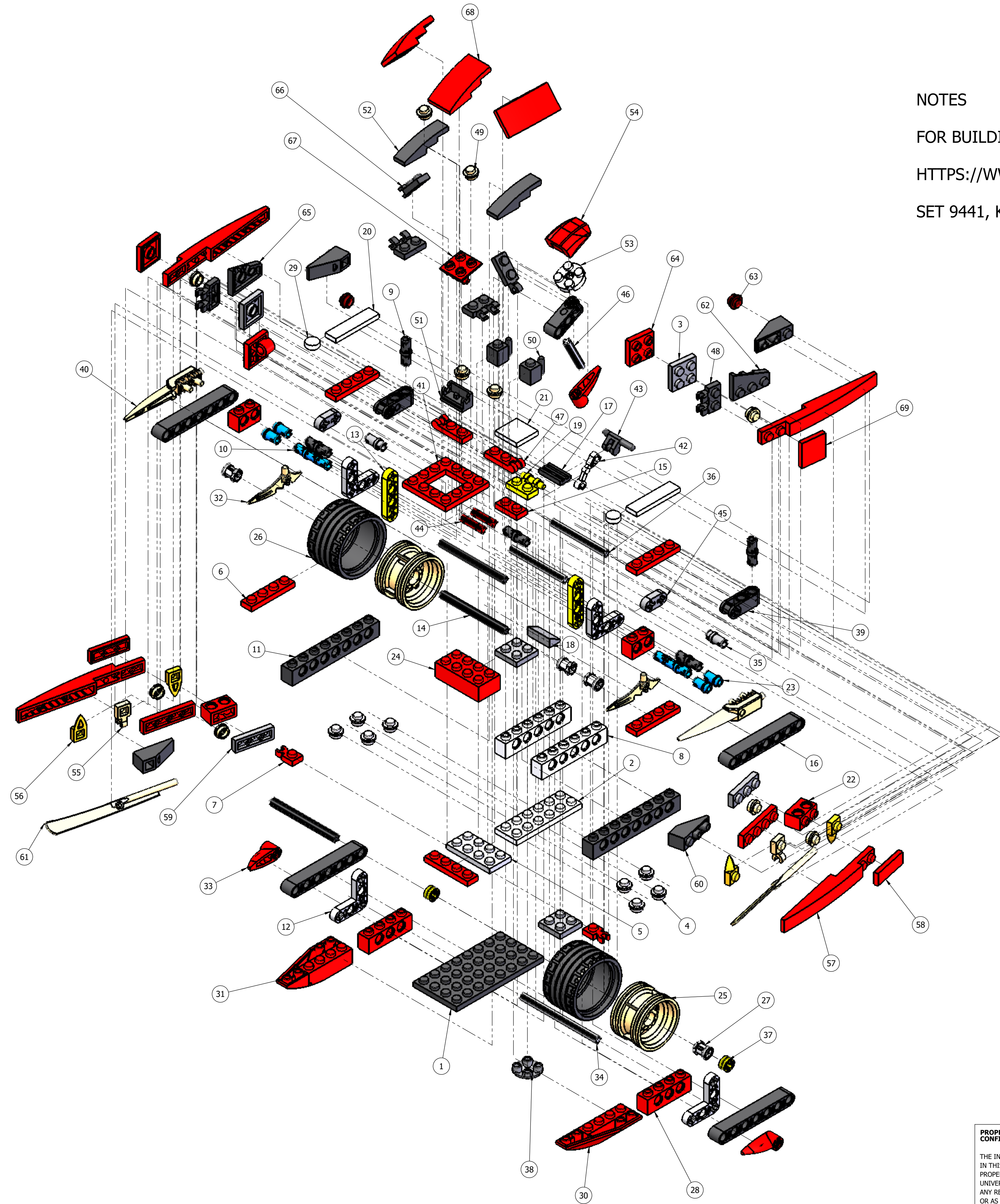
NOTES
1. DECALED PARTS ARE STICKERS

PROPRIETARY AND CONFIDENTIAL THE INFORMATION CONTAINED IN THIS DRAWING IS THE SOLE PROPERTY OF THE UNIVERSITY OF COLORADO. ANY REPRODUCTION IN PART OR AS A WHOLE WITHOUT WRITTEN PERMISSION IS PROHIBITED.	TOLERANCES: X.X ±0.1 X.XX ±0.010 X.XXX ±0.005 X.X* ±1°	MATERIAL: SEE BILL OF MATERIALS FINISH: NOT APPLICABLE	UNIVERSITY OF COLORADO 1111 ENGINEERING DRIVE BOULDER, CO 80309-0427 MCEN 1025
	UNLESS OTHERWISE SPECIFIED: DRAWING UNITS: MILLIMETERS INTERPRET DRAWING PER ASME Y14.100 INTERPRET DIMENSIONS PER ASME Y14.5M	DRAWN: JULIA ABOUD	
	CHECKED: N/A	DATE: 12/3/24	
	MANUFACTURING ENGINEER: N/A	DATE:	
DESCRIPTION KAT'S BLADE CYCLE		PART NUMBER 9441	REV A
SIZE: D		SHEET: 1 of 2	

REVISIONS		
REV.	DESCRIPTION	DATE
A	INITIAL RELEASE	12/3/2024

KAI'S BLADE CYCLE TOP LEVEL BOM

ITEM NO.	PART NUMBER	DESCRIPTION	QTY.
1	LEGO-303526_JA	4X8 BASE PLATE	1
2	LEGO-379501_JA	2X6 BASE PLATE	1
3	LEGO-4211094_JA	2X2 BASE PLATE	4
4	LEGO-4633691_JA	1X1 STUD	8
5	LEGO-4211395_JA	2X4 BASE PLATE	1
6	LEGO-371021_JA	1X4 BASE PLATE	7
7	LEGO-4588003_JA	1X1 VERTICAL CLIP	2
8	LEGO-389401_JA	1X6 TECHNIC BRICK	2
9	LEGO-4121715_JA	TECHNIC FRICTION PIN	5
10	LEGO-4514553_JA	3L TECHNIC FRICTION PIN	2
11	LEGO-370226_JA	1X8 TECHNIC BRICK	2
12	LEGO-4211574_JA	3X3 TECHNIC LIFT ARM	4
13	LEGO-4199345_JA	1X4 TECHNIC LIFT ARM	2
14	LEGO-370626_JA	6 TECHNIC AXLE	3
15	LEGO-302321_JA	1X2 BASE PLATE	1
16	LEGO-4495935_JA	1X7 TECHNIC LIFT ARM	4
17	LEGO-241226_JA	1X2 TILE GRILLE WITH GROOVE	1
18	LEGO-4567887_JA	1X2 SLOPE	1
19	LEGO-4140587_JA	1X2 PLATE WITH HANDLE	1
20	LEGO-243101_JA	1X4 TILE	2
21	LEGO-306801_JA	2X2 TILE	1
22	LEGO-4179355_JA	1X2 TECHNIC BRICK	4
23	LEGO-4143005_JA	1/2 TECHNIC PIN	4
24	LEGO-300121_JA	2X4 BRICK	1
25	LEGO-4648531_JA	30.4DX20 WHEEL	2
26	LEGO-4499234_JA	37X22 TIRE	2
27	LEGO-4211622_JA	TECHNIC BUSH	4
28	LEGO-370121_JA	1X4 TECHNIC BRICK	2
29	LEGO-4646844_JA	1X1 ROUND TILE	2
30	LEGO-4544432_JA	2X6 INVERTED RIGHT WEDGE	1
31	LEGO-4544431_JA	2x6 INVERTED RIGHT WEDGE	1
32	LEGO-4646871_JA	SERRATED BLADE	2
33	LEGO-4185661_JA	BIONICLE TOOTH WITH AXLE HOLE	3
34	LEGO-4211805_JA	7 TECHNIC AXLE	1
35	LEGO-4211050_JA	3/4 TECHNIC PIN	2
36	LEGO-4211639_JA	5 TECHNIC AXLE	2
37	LEGO-4239601_JA	TECHNIC BUSH 1/2	2
38	LEGO-4278274_JA	2X2 ROUND PLATE WITH ROUNG BOTTOM	1
39	LEGO-4173970_JA	TECHNIC AXLE AND PIN CONNECTOR	3
40	LEGO-4650518_JA	HERO FACTORY LONG BLADE	2
41	LEGO-4580871_JA	4X4 MODIFIED PLATE FRAME	1
42	LEGO-4260649_JA	MECHANICAL ARM	1
43	LEGO-3003126_JA	HANDLEBARS	1
44	LEGO-4142865_JA	2 TECHNIC AXLE	2
45	LEGO-4210980_JA	1X2 TECHNIC LIFT ARM	2
46	LEGO-4211815_JA	3 TECHNIC AXLE	1
47	LEGO-4515365_JA	1X2 MODIFIED PLATE WITH HANDLE	2
48	LEGO-4556158_JA	1X2 PLATE WITH HORIZONTAL CLIPS	4
49	LEGO-4523159_JA	1X1 STUD	10
50	LEGO-292126_JA	1X1 BRICK WITH HANDLE BAR	2
51	LEGO-393726_JA	1X2 HINDGE BRICK	1
52	LEGO-4522034_JA	1X4 SLOPE CURVED	2
53	LEGO-403201_JA	2X2 ROUND PLATE WITH AXLE HOLE	1
54	LEGO-4144413_JA	2X2 SLOPE CURVED	1
55	LEGO-4523160_JA	1X1 PLATE WITH HORIZONTAL CLIPS	2
56	LEGO-4282860_JA	1X1 MODIFIED PLATE HORIZONTAL TOOTH	4
57	LEGO-4571075_JA	1X10 SLOPE CURVED	4
58	LEGO-4533742_JA	1X3 TILE	2
59	LEGO-4211133_JA	1X3 BASE PLATE	2
60	LEGO-428726_JA	1X3 INVERTED SLOPE	4
61	LEGO-4646843_JA	10L SWORD BLADE	2
62	LEGO-4180536_JA	2X3 LEFT WEDGE PLATE	1
63	LEGO-3005741_JA	1X1 STUD	2
64	LEGO-244421_JA	2X2 MODIFIED PLATE WITH PIN HOLE	2
65	LEGO-4180508_JA	2X3 RIGHT WEDGE PLATE	1
66	LEGO-4535739_JA	1X2 PLATE WITH HORIZONTAL CLIPS	2
67	LEGO-613421_JA	2X2 HINDGE BRICK TOP PLATE	1
68	LEGO-4613174_JA	2X4 SLOPE CURVED	3
69	LEGO-306821_JA	2X2 TILE	2



NOTES
 FOR BUILDING INSTRUCTIONS AND ADDITIONAL BOM VISIT
[HTTPS://WWW.LEGO.COM/EN-US/SERVICE/BUILDINGINSTRUCTIONS](https://www.lego.com/en-us/service/buildinginstructions)
 SET 9441, KAI'S BLADE CYCLE, LEGO® NINJAGO®

PROPRIETARY AND CONFIDENTIAL THE INFORMATION CONTAINED IN THIS DRAWING IS THE SOLE PROPERTY OF THE UNIVERSITY OF COLORADO. ANY REPRODUCTION IN PART OR AS A WHOLE WITHOUT WRITTEN PERMISSION IS PROHIBITED.	TOLERANCES: X.X = ±0.1 X.XX = ±0.010 X.XXX = ±0.005 X.X° = ±1°	MATERIAL: SEE BILL OF MATERIALS FINISH: NOT APPLICABLE	UNIVERSITY OF COLORADO 1111 ENGINEERING DRIVE BOULDER, CO 80309-0427 MCEN 1025
	UNLESS OTHERWISE SPECIFIED: DRAWING UNITS: MILLIMETERS INTERPRET DRAWING PER ASME Y14.100 INTERPRET DIMENSIONS PER ASME Y14.5M	DRAWN: JULIA ABOUD CHECKER: N/A MANUFACTURING ENGINEER: N/A	DATE: 12/3/24 DATE: